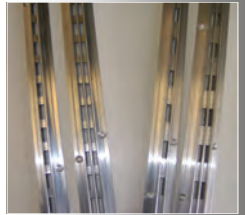


Metal shopfittings CATALOGUE

2011 *Issue 3*

Custom Design
AUSTRALIA WIDE

KANWELD
PTY LIMITED **PRODUCTS**



Other Products

Whilst Kanweld is predominantly a metal shopfitting manufacturer, it is also a versatile light engineering workshop.

We supply custom made items to the building and a variety of other industries.

For example

- ◆ Stainless Steel Covers for Water Meters
- ◆ Directory Sign Panels
- ◆ Guard Rails and Bollards
- ◆ Protective Covers for Electrical Cables.
- ◆ Metal Hardware Items

See pages 31 to 35 for other special products we have manufactured.

About KANWELD PRODUCTS

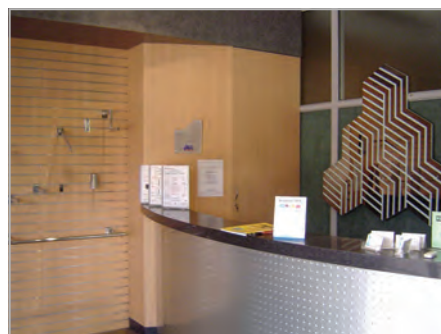
Kanweld Products Pty Limited is an all Australian company and has been trading approximately 40 years. It is predominantly a metal fabrication business specialising in custom designed metalwork.



Over the years it has built an excellent reputation for service, quality and reliability. Many major retailers such as David Jones, Myer and Lowes stores use our products. Shopfitters across Australia and many specialty retailers have been long standing customers.

The facilities at Kanweld such as CAD engineering, robot welding and modern finish techniques coupled with our experienced personnel ensure the projects taken on by Kanweld are handled with the quality and service they deserve.

The major shareholders of Kanweld Products are directors of the Alchin Long Group of Companies. These varied companies which include a powder coating plant are involved in the building industry and provide excellent backup for Kanweld Products.



Come and visit us in our showroom !

Alchin & Long Group of Companies

Contents

BAR SYSTEM	Bar Arms Extended Height	20
	Bar Brackets	19
	Double Loop Hooks	21
	Football Display Ring	20
	Front Hang Arms	19 and 20
	Shelf Bars	21
	Side Hang	21
	Single Bar Hooks	20
	Bar Clip for Scanning Hook	25
BINNING ATTACHMENTS	Binning Attachments	24
CUSTOM WORK	Custom Made Items	29 - 33
DISPLAY BRACKETS FOR STRIPPING	Bookshelf Brackets	22
	Chrome Tube	23
	Front Hang Arms	22
	Hang Rail	23
	Pelmet Brackets	24
	Ring Brackets	23
GROOVE WALL BOARD FITTINGS	Adaptor 40.48mm Pitch	16
	Adjustable Brackets	16
	Chrome Tube	23
	Double Loop Prongs	17
	Front Hang Arms	17 and 18
	Hat Arm	18
	Ring Brackets	18
	Shelf Brackets	15
	Shoe Holder	18
	Side Hang Arms	18
	Single Prongs	17
HOOKS	Pegboard Hooks	25
	Scanning Hooks	25
RACKS AND STANDS	Clamp On Arms	26
	Clothes Rail Racks	26
	Crowd Control Barriers	28
	Dump Tables	26
	Gondola Frames	28
	Gondola Rails	28
	Lingerie Racks	26
	Poster Stand	28

RACKS AND STANDS (CONTINUED)	Spring Loaded Bar		23
	Spring Loaded Rail		23
	Ticket Holders		27
	4 Way Rack		26
SHELF BRACKETS FOR STRIPPING	Adjustable Shelf Bracket	25.4mm Pitch	13
	Adjustable Shelf Bracket	40.48mm Pitch	12
	Glass Support Rail		14
	Grommets		14
	Plastic Tips		14
	Shelf Brackets	25.4mm Pitch	10
	Shelf Brackets	40.48mm Pitch	7 and 8
	Shelf Brackets with Slots		9
	Shelf Rests		14
	Universal Shelf Brackets		11
SLOTTED TUBE AND FITTINGS	Adjusters		4
	Bottom Fixings		3
	Castors		4
	Cover Sleeve		3
	Metal Ends		4
	Plastic Inserts		4
	Plastic Inserts with Thread		4
	Slotted Rectangular Tube	25.4mm Pitch	2
	Slotted Rectangular Tube	40.48mm Pitch	1
	Slotted Round Tube	40.48mm Pitch	2
	Slotted Square Tube	25.4mm Pitch	2
	Slotted Square Tube	40.48mm Pitch	1
	Top Fixings		3
	Wheels		4
STAINLESS STEEL FITTINGS	Stainless Steel Items		32 and 33
STRIPPING	Concealed Aluminium Stripping	25.4mm Pitch	6
	Concealed Aluminium Stripping	40.48mm Pitch	6
	Wall Stripping		5

Terms and conditions

- ◆ All orders are subject to delivery and freight costs.
- ◆ Special manufactured items cannot be cancelled or returned.
- ◆ Deposit to be paid on special manufactured items by non-account customers.
- ◆ Retention of title. Until Kanweld is paid in full, property in goods delivered remain in Kanweld's title.

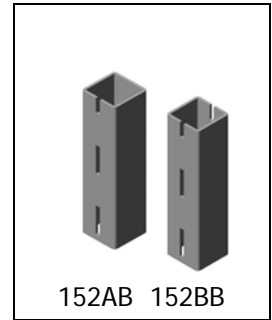
Prices will vary depending on quantity, so please nominate your requirements when seeking a quotation.

Finishes Available

Raw - Untreated metal
Zinc - Zinc Plated
CP - Chrome Plated
PolCP - Polished Chrome Plate
Paint - Painted
(White, Grey & Black Standard Colours)
Natural - Mill finish aluminium
Anodised - Clear, black and gold
St/steel - Stainless steel Other finishes
available on request

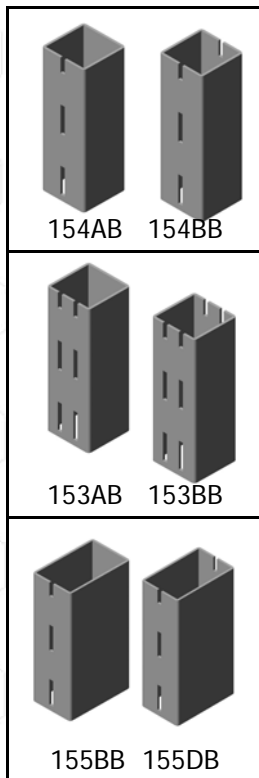
SLOTTED TUBE 40.48mm pitch

Code	Description	Size (mm)	Finish
152 AB	25x25 Tube Sgl Slot 1 Face	3000	Raw
152 BB	25x25 Tube Sgl Slot 2 Face	3000	Raw



Slotted tube can be used with accessories (see page 3) to create a versatile shelving system, use fixings to fit to your ceiling and floor.

Tube can be finished to order either powdercoat or straight chrome or zinc plated.



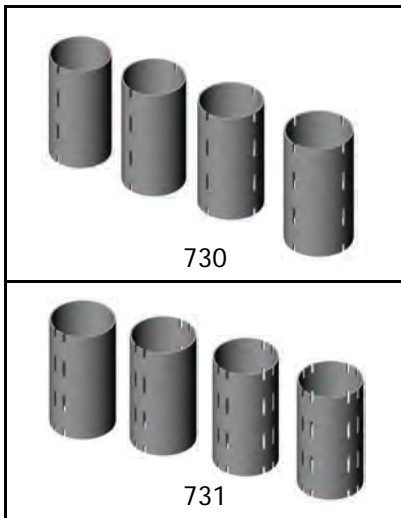
Tube can be finished to a variety of finishes, just ask our sales team!

Code	Description	Size (mm)	Finish
154 AB	32x32 Tube Sgl Slot 1 Face	3000	Raw
154 BB	32x32 Tube Sgl Slot 2 Face	3000	Raw
153 AB	32x32 Tube Dbl Slot 1 Face	3000	Raw
153 BB	32x32 Tube Dbl Slot 2 Face	3000	Raw
155 BB	51x32 Tube Sgl Slot 1 Face	3000	Raw
155 DB	51x32 Tube Sgl Slot 2 Face	3000	Raw
155 AB	51x32 Tube Dbl Slot 1 Face	3000	Raw
155 CB	51x32 Tube Dbl Slot 2 Face	3000	Raw

All slots are 40.48mm or 25.4mm pitch as required. 3000mm lengths are kept in stock in raw finish only.

Custom fabrication is our speciality !

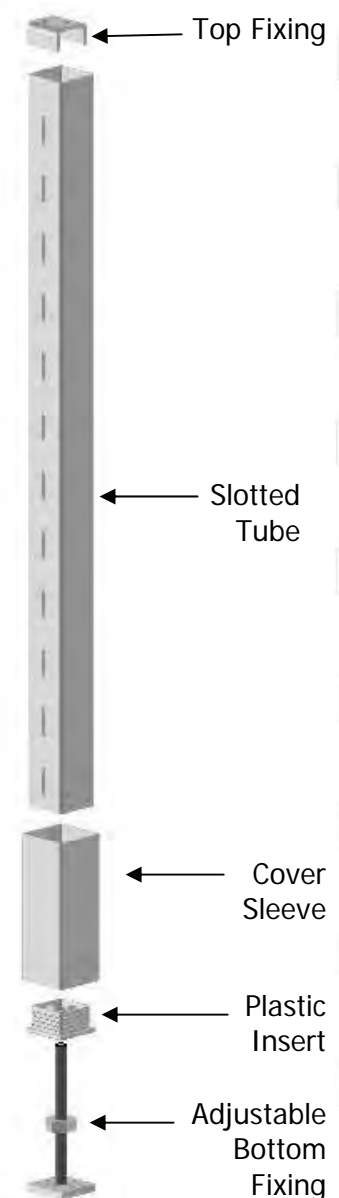
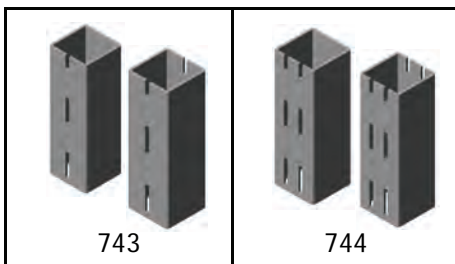
SLOTTED ROUND TUBE 40.48mm pitch



Code	Description	Size (mm)	Finish
730 A	63.5 Ø Tube Sgl Slot 1 Side	3000	Raw
730 B	63.5 Ø Tube Sgl Slot 2 Side	3000	Raw
730 C	63.5 Ø Tube Sgl Slot 3 Side	3000	Raw
730 D	63.5 Ø Tube Sgl Slot 4 Side	3000	Raw
731 A	63.5 Ø Tube Dbl Slot 1 Side	3000	Raw
731 B	63.5 Ø Tube Dbl Slot 2 Side	3000	Raw
731 C	63.5 Ø Tube Dbl Slot 3 Side	3000	Raw
731 D	63.5 Ø Tube Dbl Slot 4 Side	3000	Raw

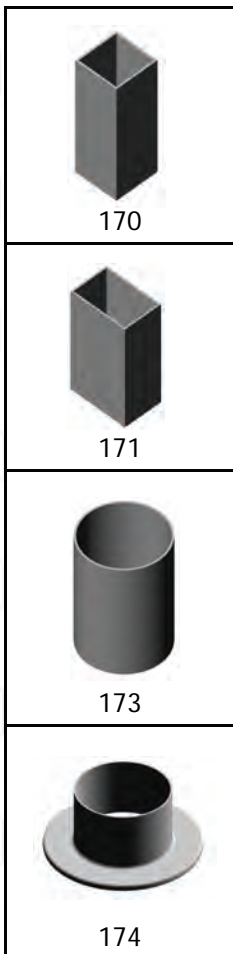
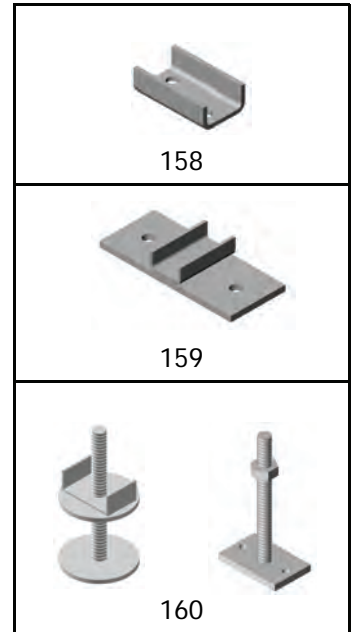
SLOTTED TUBE 25.4mm pitch

Code	Description	Size (mm)	Finish
743 A	32x32 Tube Sgl Slot 1 Face	3000	Raw
743 B	32x32 Tube Sgl Slot 2 Face	3000	Raw
744 A	32x32 Tube Dbl Slot 1 Face	3000	Raw
744 B	32x32 Tube Dbl Slot 2 Face	3000	Raw



TUBE FIXINGS

Code	Description	Size (mm)	Finish
158 A	Top Fixing	22x22	Raw
158 B	Top Fixing	25x25	Raw
158 C	Top Fixing	32x32	Raw
158 D	Top Fixing	51x32	Raw
159 A	Bot. or Top w/- Fix Plate	22x22	Raw
159 B	Bot. or Top w/- Fix Plate	25x25	Raw
159 C	Bot. or Top w/- Fix Plate	32x32	Raw
159 D	Bot. or Top w/- Fix Plate	51x32	Raw
160 A	Adjustable Bottom Fixing	65 Dia	Raw
160 B	Adjustable Bottom Fixing	50 Dia	Raw
160 C	Adjustable Bottom Fixing Rect. Tube		Raw

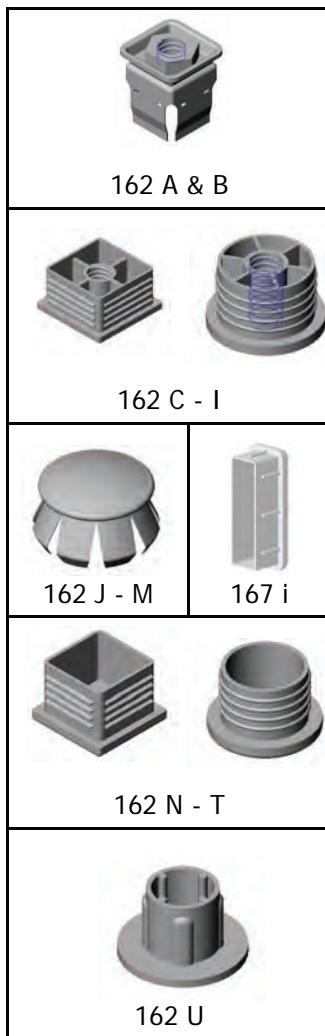


COVER SLEEVES

Code	Description	Size (mm)	Finish
170 A	Cover Sleeve	32x32	Raw
170 B	Cover Sleeve	32x32	Paint
170 C	Cover Sleeve	32x32	Pol CP
171 A	Cover Sleeve	51x32	Raw
171 B	Cover Sleeve	51x32	Paint
171 C	Cover Sleeve	51x32	Pol CP
173 A	Cover Sleeve	63.5 Dia	Raw
173 B	Cover Sleeve	63.5 Dia	Paint
173 C	Cover Sleeve	63.5 Dia	Pol CP
174 A	Top Cover Spinning	63.5 Dia	Raw
174 B	Top Cover Spinning	63.5 Dia	Paint
174 C	Top Cover Spinning	63.5 Dia	Pol CP

Custom fabrication is our speciality !

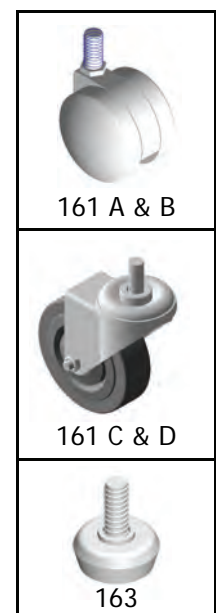
TUBE END CAPS



Code	Description	Size (mm)	Finish
162 A	Metal Thread Closure	32x32	
162 B	Metal Thread Closure	25x25	
162 C	Plastic Insert Metal Thread	51x32	
162 D	Plastic Insert Metal Thread	32x32	
162 E	Plastic Insert Metal Thread	25x25	
162 F	Plastic Insert Metal Thread	22x22	
162 G	Plastic Insert Metal Thread	32 Dia	
162 H	Plastic Insert Metal Thread	25 Dia	
162 I	Plastic Insert Metal Thread	22 Dia	
162 J	Metal Ends	25 Dia	CP
162 K	Metal Ends	32 Dia	CP
162 L	Metal Ends	38 Dia	CP
162 M	Metal Ends	50 Dia	CP
166	Plastic Stopends	12x12	
167 i	End Cap Chrome	32x12	
162 N	Plastic Insert Plain	51x32	
162 O	Plastic Insert Plain	32x32	
162 P	Plastic Insert Plain	25x25	
162 Q	Plastic Insert Plain	22x22	
162 R	Plastic Insert Plain	32 Dia	
162 S	Plastic Insert Plain	25 Dia	
162 T	Plastic Insert Plain	22 Dia	
162 U	Closure with Flange	25 Dia	

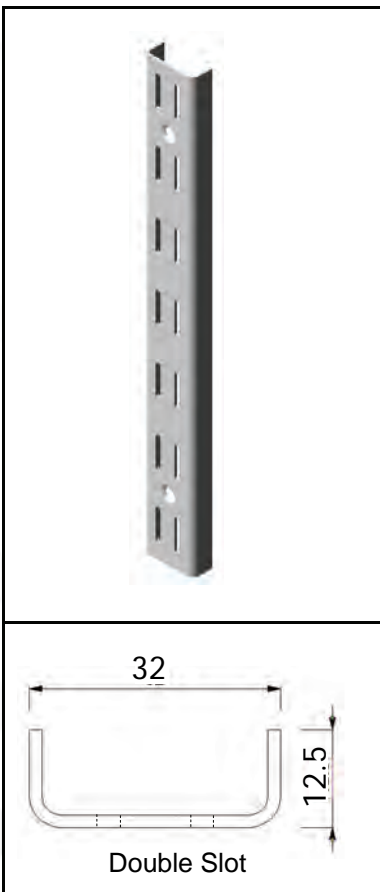
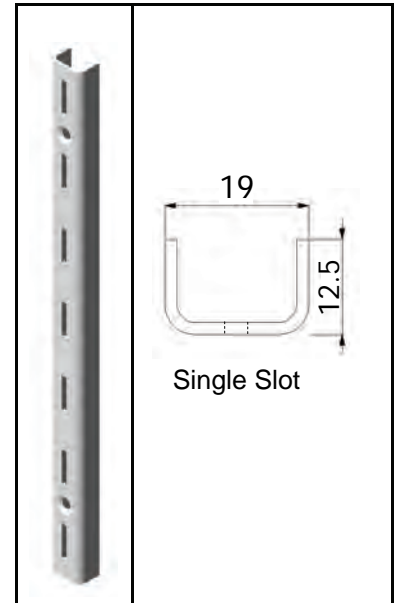
LEVELLERS & WHEELS

Code	Description	Size (mm)	Finish
161 A	Plastic Castors (Set 4)	50 Dia	
161 B	Chrome Castors (Set 4)	50 Dia	
161 Ci	75x21 TPR Swivel Wheel		Grey
161 Di	75x21 TPR Swivel Wheel w/- Brake		Grey
163	Nylon Adjusters		
165	Metal Adjusters		Zinc



WALL STRIPPING 40.48mm pitch

Code	Description	Size (mm)	Finish
156 D	Single Slot	1800	CP
156 G	Single Slot	1800	Raw
550	Single Slot	1800	Paint
156 E	Single Slot	2100	CP
156 H	Single Slot	2100	Raw
551	Single Slot	2100	Paint
156 F	Single Slot	2400	CP
156 I	Single Slot	2400	Raw
552	Single Slot	2400	Paint



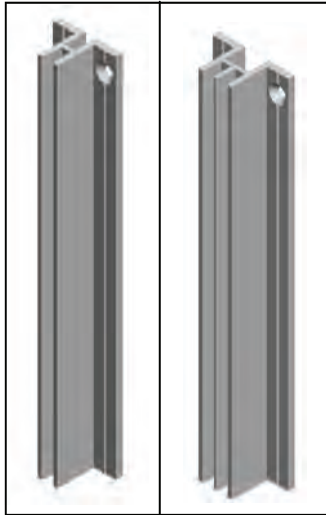
157 D	Double Slot	1800	CP
157 G	Double Slot	1800	Raw
553	Double Slot	1800	Paint
157 E	Double Slot	2100	CP
157 H	Double Slot	2100	Raw
554	Double Slot	2100	Paint
157 F	Double Slot	2400	CP
157 I	Double Slot	2400	Raw
555	Double Slot	2400	Paint

**Now available in
25.4mm pitch**

Surface mount wall stripping is easily fixed to your wall to make the most popular style display. Use together with Shelf brackets, Adjustable Brackets, Display Brackets (page 22) to exhibit your stock. Add the Bar System for even greater flexibility (page 19).

Custom fabrication is our speciality !

CONCEALED ALUMINIUM STRIPPING 40.48mm pitch

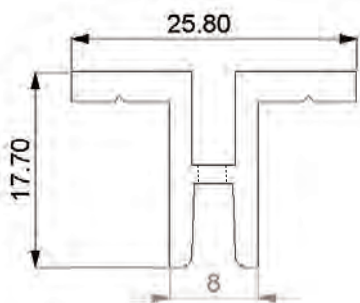


Code	Description	Size (mm)	Finish
619	Single Slot (1.6mm) T Section	2400	Natural
620	Single Slot (1.6mm) T Section	3000	Natural
649	Double Slot (1.6mm) T Section	2400	Natural
650	Double Slot (1.6mm) T Section	3000	Natural

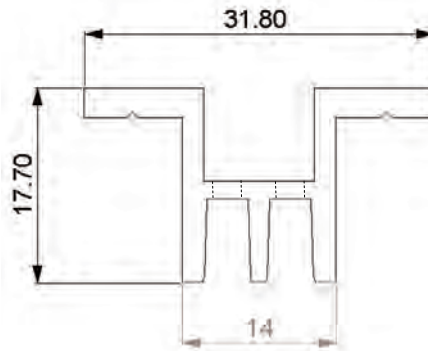
CONCEALED ALUMINIUM STRIPPING 25.4mm pitch

Code	Description	Size (mm)	Finish
604	Single Slot (1.6mm) T Section	2400	Natural
605	Single Slot (1.6mm) T Section	3000	Natural
629	Double Slot (1.6mm) T Section	2400	Natural
630	Double Slot (1.6mm) T Section	3000	Natural

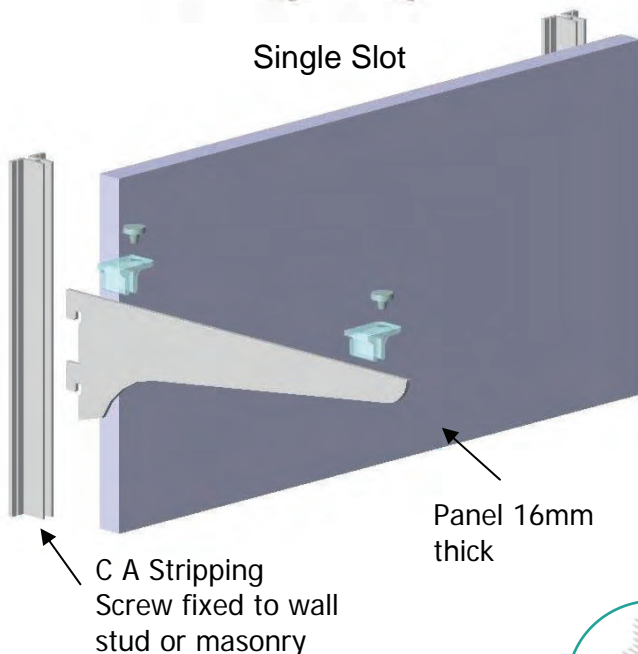
Older style C A Stripping (heavy wall) and brackets available on application



Single Slot



Double Slot



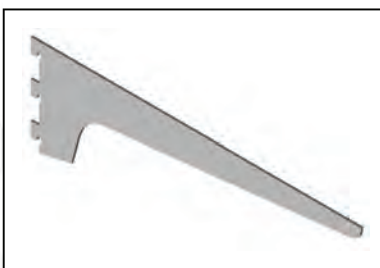
C A Stripping works the same as Wall Stripping only the stripping is concealed by your panel to create a smoother, more appealing finish on your wall.

The stripping is made from Aluminium extrusion, use it in the natural finish, as only the front of the fins are seen.

SHELF BRACKETS 40.48mm pitch

for 1.6mm wall thickness stripping

Code	Description	Size (mm)	Finish
75 Bi	Shelf Bracket	101	CP
75 Ci	Shelf Bracket	101	Raw
556i	Shelf Bracket	101	Paint
75 Ei	Shelf Bracket	152	CP
75 Fi	Shelf Bracket	152	Raw
557i	Shelf Bracket	152	Paint
75 Hi	Shelf Bracket	203	CP
75 li	Shelf Bracket	203	Raw
558i	Shelf Bracket	203	Paint
75 Ki	Shelf Bracket	254	CP
75 Li	Shelf Bracket	254	Raw
559i	Shelf Bracket	254	Paint
75 Ni	Shelf Bracket	305	CP
75 Oi	Shelf Bracket	305	Raw
560i	Shelf Bracket	305	Paint



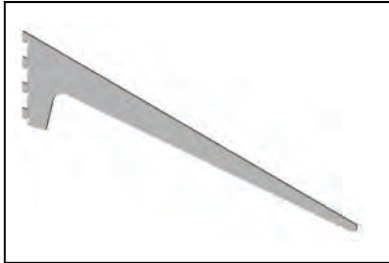
Code	Description	Size (mm)	Finish
76 Bi	Shelf Bracket 3L	305	CP
76 Ci	Shelf Bracket 3L	305	Raw
76 Wi	Shelf Bracket 3L	305	Paint
76 Ei	Shelf Bracket	355	CP
76 Fi	Shelf Bracket	355	Raw
561i	Shelf Bracket	355	Paint
76 Hi	Shelf Bracket	406	CP
76 li	Shelf Bracket	406	Raw
562i	Shelf Bracket	406	Paint

Custom fabrication is our speciality !

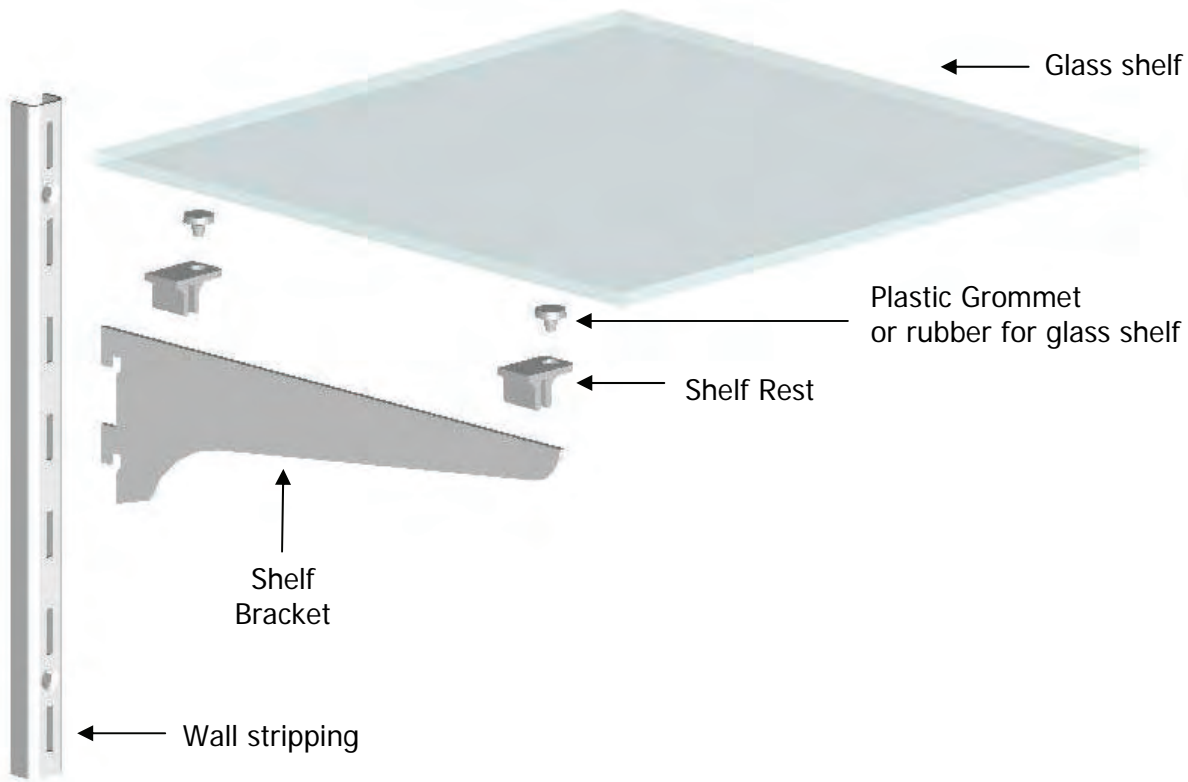
SHELF BRACKETS 40.48mm pitch

for 1.6mm wall thickness stripping

Code	Description	Size (mm)	Finish
76 Ki	Shelf Bracket	457	CP
76 Li	Shelf Bracket	457	Raw
563i	Shelf Bracket	457	Paint
76 Ni	Shelf Bracket	508	CP
76 Oi	Shelf Bracket	508	Raw
564i	Shelf Bracket	508	Paint
76 Qi	Shelf Bracket	558	CP
76 Ri	Shelf Bracket	558	Raw
565i	Shelf Bracket	558	Paint
76 Ti	Shelf Bracket	610	CP
76 Ui	Shelf Bracket	610	Raw
566i	Shelf Bracket	610	Paint



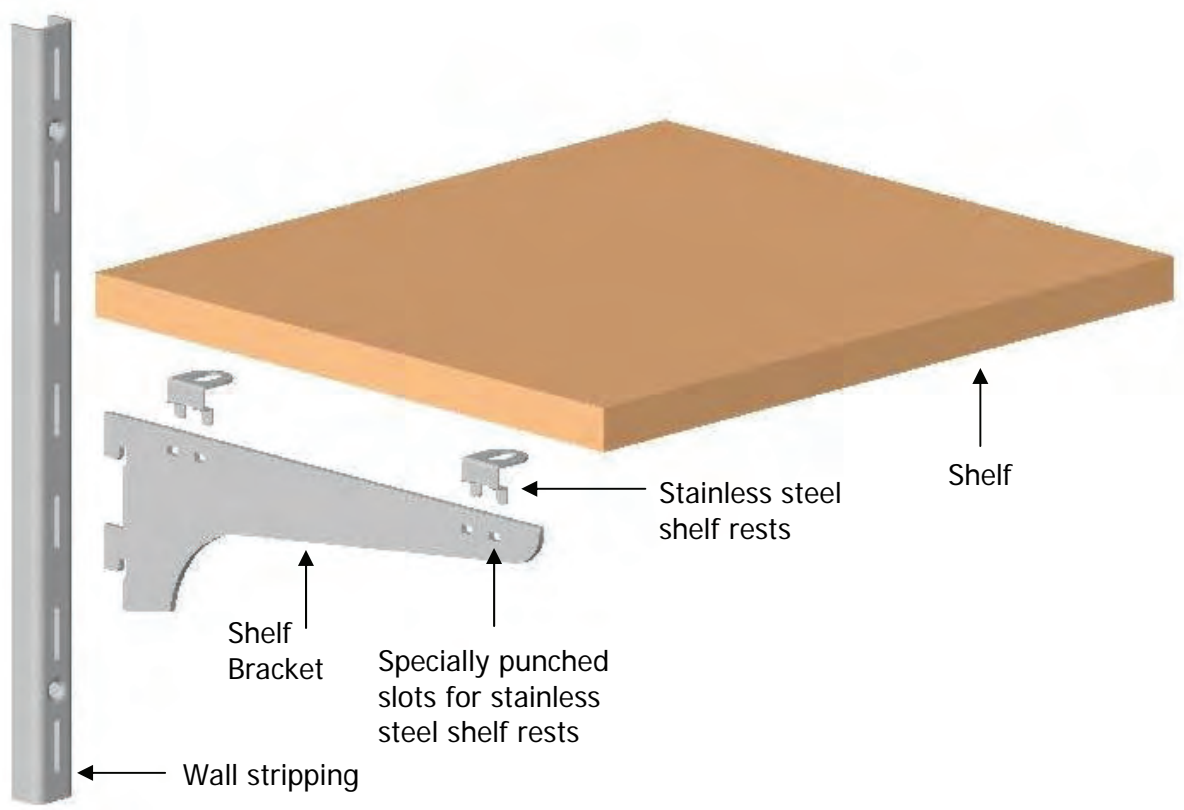
Shelf brackets are the most basic shelving system. It comprises of stripping, shelf brackets, shelf rests and grommets (page 14). Team together with your shelves, either timber or glass, for display or storage.



SHELF BRACKETS WITH SLOTS

For situations where added strength and stability are required, use our stainless steel shelf rests (page 14) that lock together with a shelf bracket that has been specially punched with slots.

To order brackets with slots, simply add the letters "SS" to the end of the code number of your bracket.



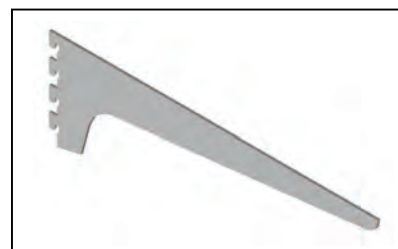
Custom fabrication is our speciality !



SHELF BRACKETS 25.4mm pitch

Code	Description	Size (mm)	Finish
200 Bi	Shelf Bracket	101	CP
200 Ci	Shelf Bracket	101	Raw
200 Di	Shelf Bracket	101	Paint
201 Bi	Shelf Bracket	152	CP
201 Ci	Shelf Bracket	152	Raw
201 Di	Shelf Bracket	152	Paint
202 Bi	Shelf Bracket	203	CP
202 Ci	Shelf Bracket	203	Raw
202 Di	Shelf Bracket	203	Paint
203 Bi	Shelf Bracket	254	CP
203 Ci	Shelf Bracket	254	Raw
203 Di	Shelf Bracket	254	Paint
204 Bi	Shelf Bracket	305	CP
204 Ci	Shelf Bracket	305	Raw
204 Di	Shelf Bracket	305	Paint

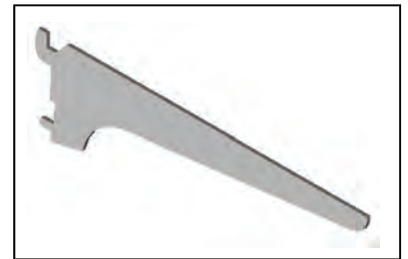
Code	Description	Size (mm)	Finish
205 Bi	Shelf Bracket	355	CP
205 Ci	Shelf Bracket	355	Raw
205 Di	Shelf Bracket	355	Paint
206 Bi	Shelf Bracket	406	CP
206 Ci	Shelf Bracket	406	Raw
206 Di	Shelf Bracket	406	Paint
207 Bi	Shelf Bracket	457	CP
207 Ci	Shelf Bracket	457	Raw
207 Di	Shelf Bracket	457	Paint
208 Bi	Shelf Bracket	508	CP
208 Ci	Shelf Bracket	508	Raw
208 Di	Shelf Bracket	508	Paint
209 Bi	Shelf Bracket	558	CP
209 Ci	Shelf Bracket	558	Raw
209 Di	Shelf Bracket	558	Paint
210 Bi	Shelf Bracket	610	CP
210 Ci	Shelf Bracket	610	Raw
210 Di	Shelf Bracket	610	Paint



UNIVERSAL SHELF BRACKETS
TO SUIT BOTH 40.48mm & 25.4mm pitch

for 1.6mm wall thickness stripping

Code	Description	Size (mm)	Finish
901 B	Shelf Bracket	152	CP
901 C	Shelf Bracket	152	Raw
901 D	Shelf Bracket	152	Paint
902 B	Shelf Bracket	203	CP
902 C	Shelf Bracket	203	Raw
902 D	Shelf Bracket	203	Paint
903 B	Shelf Bracket	254	CP
903 C	Shelf Bracket	254	Raw
903 D	Shelf Bracket	254	Paint
904 B	Shelf Bracket	305	CP
904 C	Shelf Bracket	305	Raw
904 D	Shelf Bracket	305	Paint
905 B	Shelf Bracket	355	CP
905 C	Shelf Bracket	355	Raw
905 D	Shelf Bracket	355	Paint
906 B	Shelf Bracket	406	CP
906 C	Shelf Bracket	406	Raw
906 D	Shelf Bracket	406	Paint
907 B	Shelf Bracket	457	CP
907 C	Shelf Bracket	457	Raw
907 D	Shelf Bracket	457	Paint

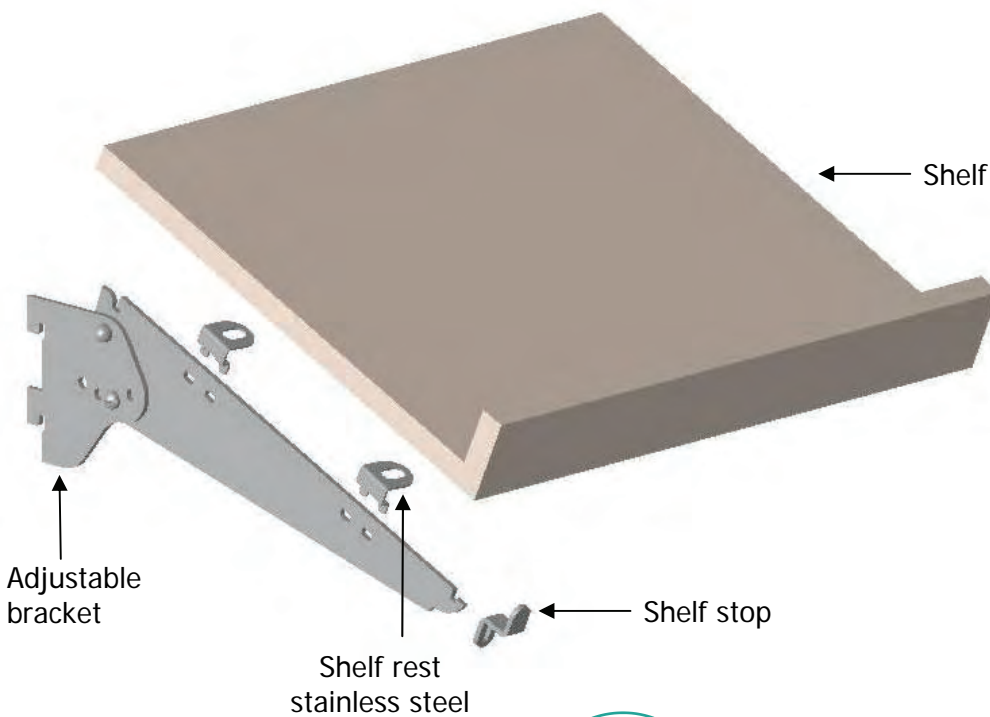
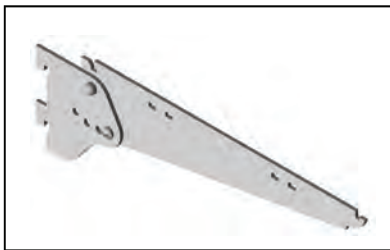


Custom fabrication is our speciality !

ADJUSTABLE BRACKETS 40.48mm pitch

for 1.6mm wall thickness stripping

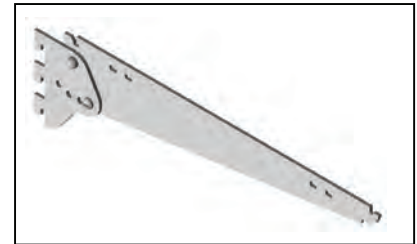
Code	Description	Size (mm)	Finish
80 B	Adjustable Angle Bracket	152	CP
570	Adjustable Angle Bracket	152	Paint
80 E	Adjustable Angle Bracket	203	CP
571	Adjustable Angle Bracket	203	Paint
80 H	Adjustable Angle Bracket	254	CP
572	Adjustable Angle Bracket	254	Paint
80 K	Adjustable Angle Bracket	305	CP
573	Adjustable Angle Bracket	305	Paint
80 N	Adjustable Angle Bracket	355	CP
574	Adjustable Angle Bracket	355	Paint
80 Q	Adjustable Angle Bracket	406	CP
575	Adjustable Angle Bracket	406	Paint
80 T	Adjustable Angle Bracket	457	CP
576	Adjustable Angle Bracket	457	Paint
80 U	Adjustable Angle Bracket	508	CP
577	Adjustable Angle Bracket	508	Paint
80 V	Adjustable Angle Bracket	558	CP
578	Adjustable Angle Bracket	558	Paint
80 W	Adjustable Angle Bracket	610	CP
579	Adjustable Angle Bracket	610	Paint



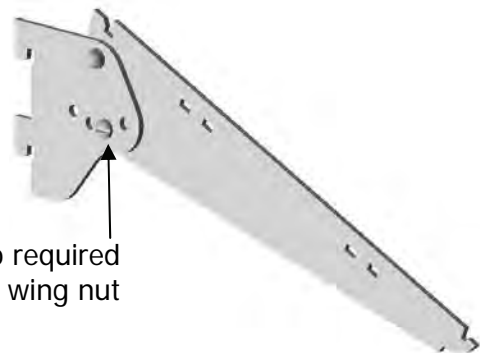
ADJUSTABLE BRACKETS 25.4mm pitch

for 1.6mm wall thickness stripping

Code	Description	Size (mm)	Finish
780 A	Adjustable Angle Bracket	152	CP
780 B	Adjustable Angle Bracket	152	Paint
781 A	Adjustable Angle Bracket	203	CP
781 B	Adjustable Angle Bracket	203	Paint
782 A	Adjustable Angle Bracket	254	CP
782 B	Adjustable Angle Bracket	254	Paint
783 A	Adjustable Angle Bracket	305	CP
783 B	Adjustable Angle Bracket	305	Paint
784 A	Adjustable Angle Bracket	355	CP
784 B	Adjustable Angle Bracket	355	Paint
785 A	Adjustable Angle Bracket	406	CP
785 B	Adjustable Angle Bracket	406	Paint
786 A	Adjustable Angle Bracket	457	CP
786 B	Adjustable Angle Bracket	457	Paint
787 A	Adjustable Angle Bracket	508	CP
787 B	Adjustable Angle Bracket	508	Paint
788 A	Adjustable Angle Bracket	558	CP
788 B	Adjustable Angle Bracket	558	Paint
789 A	Adjustable Angle Bracket	610	CP
789 B	Adjustable Angle Bracket	610	Paint



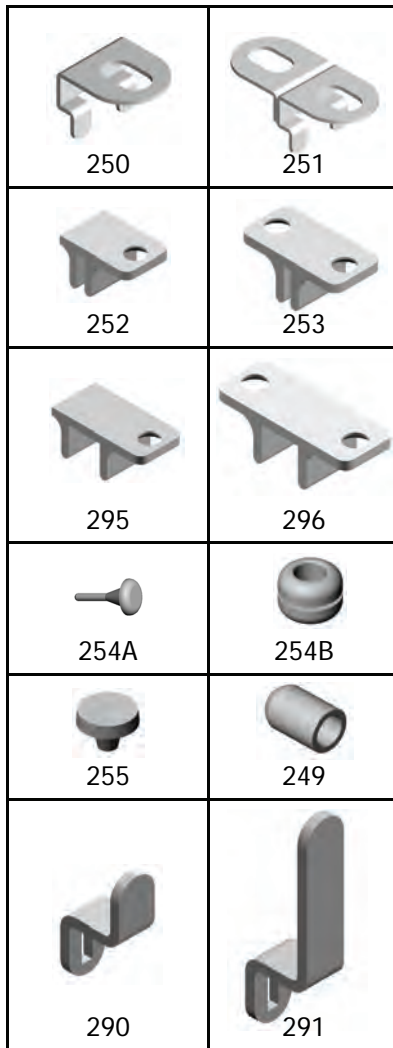
Adjustable brackets are used when products/merchandise are better displayed on an angle. By moving the screw and wing nut, the bracket can be set at various angles. Use with an adjustable stop (code 290 or 291) to prevent the shelf from sliding forward and use shelf rests as required.



Adjustable to required angle with screw & wing nut

Custom fabrication is our speciality !

SHELF REST, GROMMETS AND PLASTIC TIPS



Code	Description	Size (mm)	Finish
250	Stainless Steel Single Shelf Rest		
251	Stainless Steel Double Shelf Rest		
252	Plastic Single Shelf Rest		
253	Plastic Double Shelf Rest		
295	Plastic Single Shelf Rest for 12mm wide tube		
296	Plastic Double Shelf Rest for 12mm wide tube		
254 A	Rubber Grommets for Plastic Shelf Rest		
254 B	Rubber Grommets for St/Steel Shelf Rest		
255	Plastic Grommets for Plastic Shelf Rest		
249	Plastic Tips for Prongs		
290	Adjustable Shelf Stop		CP
290 P	Adjustable Shelf Stop		Paint
291	Extended Height Adjustable Shelf Stop		CP

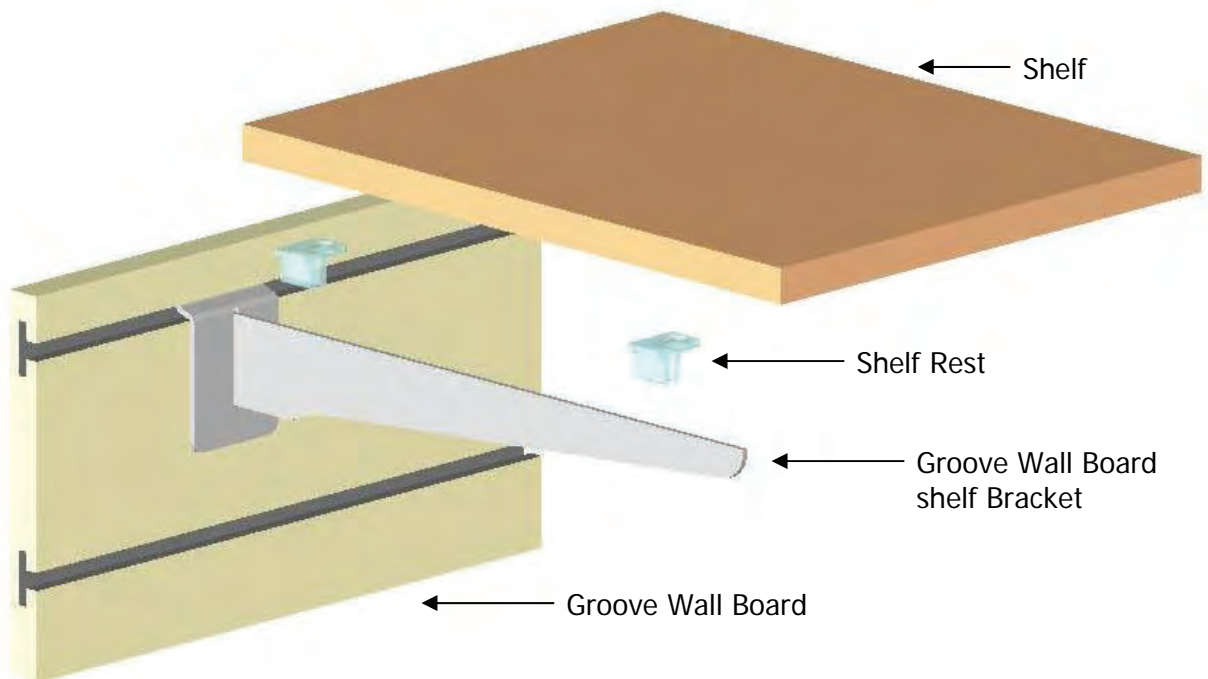
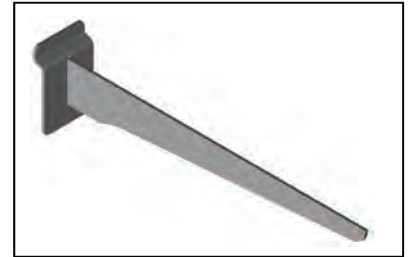
GLASS SUPPORT RAILS

Code	Description	Size (mm)	Finish
910	Glass Support Rail	900	CP
911	Glass Support Rail	762	CP



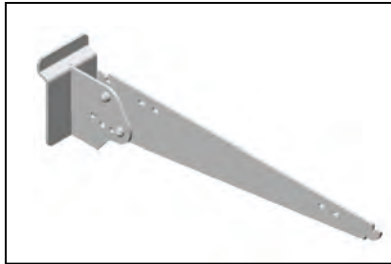
GROOVE WALL BOARD SHELF BRACKETS

Code	Description	Size (mm)	Finish
500 C	Shelf Bracket	152	CP
500 P	Shelf Bracket	152	Paint
501 C	Shelf Bracket	203	CP
501 P	Shelf Bracket	203	Paint
502 C	Shelf Bracket	254	CP
502 P	Shelf Bracket	254	Paint
503 C	Shelf Bracket	305	CP
503 P	Shelf Bracket	305	Paint
504 C	Shelf Bracket	355	CP
504 P	Shelf Bracket	355	Paint
505 C	Shelf Bracket	406	CP
505 P	Shelf Bracket	406	Paint
506 C	Shelf Bracket	457	CP
506 P	Shelf Bracket	457	Paint
507 C	Shelf Bracket	508	CP
507 P	Shelf Bracket	508	Paint
508 C	Shelf Bracket	558	CP
508 P	Shelf Bracket	558	Paint



Custom fabrication is our speciality !

GROOVE WALL BOARD ADJUSTABLE SHELF BRACKETS



Code	Description	Size (mm)	Finish
510 C	Adjustable Angle Bracket	203	CP
510 P	Adjustable Angle Bracket	203	Paint
511 C	Adjustable Angle Bracket	254	CP
511 P	Adjustable Angle Bracket	254	Paint
512 C	Adjustable Angle Bracket	305	CP
512 P	Adjustable Angle Bracket	305	Paint
513 C	Adjustable Angle Bracket	355	CP
513 P	Adjustable Angle Bracket	355	Paint
514 C	Adjustable Angle Bracket	406	CP
514 P	Adjustable Angle Bracket	406	Paint
515 C	Adjustable Angle Bracket	457	CP
515 P	Adjustable Angle Bracket	457	Paint
516 C	Adjustable Angle Bracket	508	CP
516 P	Adjustable Angle Bracket	508	Paint

**GROOVE WALL BOARD ADAPTOR
40.48mm PITCH**

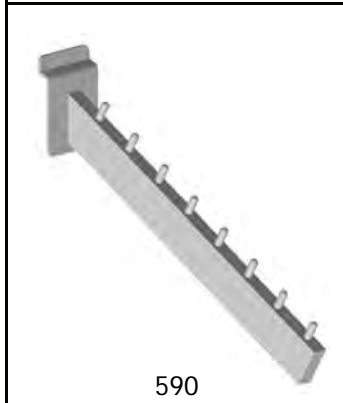
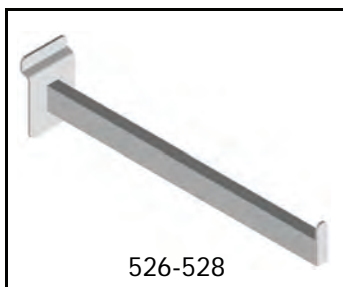
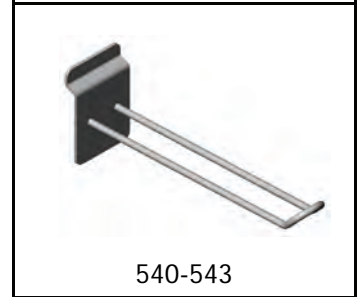
Code	Description	Finish
545 A	2 Lug	CP
545 B	2 Lug	Paint
546 A	3 Lug	CP
546 B	3 Lug	Paint



The Groove Wall Board Adaptor allows for you to use your existing 40.48mm pitch shelf and display brackets to suit most groove wall boards.

GROOVE WALL BOARD FITTINGS

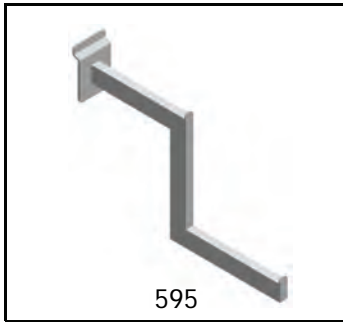
Code	Description	Size (mm)	Finish
518 Ci	Single Prong	50	CP
518 Pi	Single Prong	50	Paint
519 Ci	Single Prong	100	CP
519 Pi	Single Prong	100	Paint
520 Ci	Single Prong	150	CP
520 Pi	Single Prong	150	Paint
521 Ci	Single Prong	200	CP
521 Pi	Single Prong	200	Paint
522 Ci	Single Prong	250	CP
522 Pi	Single Prong	250	Paint
523 Ci	Single Prong	300	CP
523 Pi	Single Prong	300	Paint
540 Ci	Double Loop Prong	150	CP
540 Pi	Double Loop Prong	150	Paint
541 Ci	Double Loop Prong	200	CP
541 Pi	Double Loop Prong	200	Paint
542 C	Double Loop Prong	250	CP
542 P	Double Loop Prong	250	Paint
543 Ci	Double Loop Prong	300	CP
543 Pi	Double Loop Prong	300	Paint



Code	Description	Size (mm)	Finish
526 C	Front Hang Arm	250	PolCP
526 P	Front Hang Arm	250	Paint
527 C	Front Hang Arm	300	PolCP
527 P	Front Hang Arm	300	Paint
528 C	Front Hang Arm	350	PolCP
528 P	Front Hang Arm	350	Paint
590 C	Front Hang Sloping Arm (Tube)	8 Pin	PolCP
590 P	Front Hang Sloping Arm (Tube)	8 Pin	Paint
591 C	Front Hang Sloping Arm (Tube)	11 Pin	PolCP
591 P	Front Hang Sloping Arm (Tube)	11 Pin	Paint

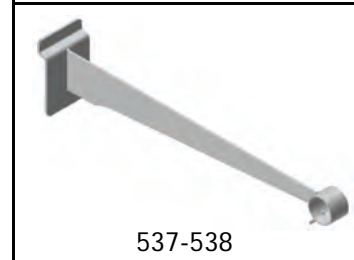
Custom fabrication is our speciality !

GROOVE WALL BOARD FITTINGS



Code	Description	Size (mm)	Finish
595 C	Front Hang Step Arm	400	PolCP
595 P	Front Hang Step Arm	400	Paint

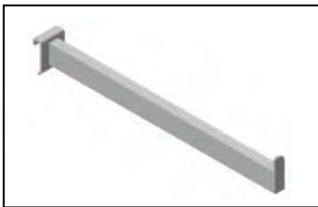
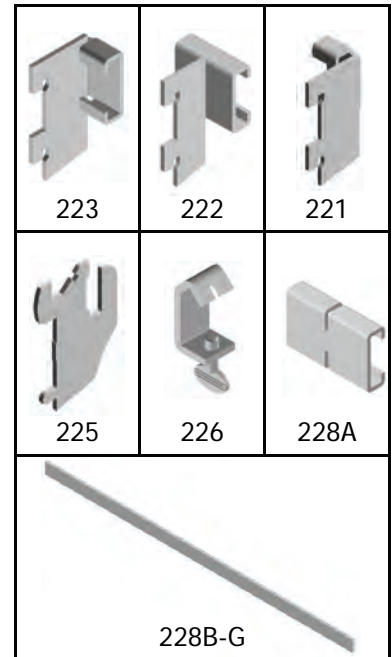
Code	Description	Size (mm)	Finish
536 C	Side Hang Arm 32x7 Bar	900x300	PolCP
536 P	Side Hang Arm 32x7 Bar	900x300	Paint
597 C	Side Hang Arm 32x7 Bar	900x350	PolCP
597 P	Side Hang Arm 32x7 Bar	900x350	Paint
537 C	Ring Bracket	305	CP
537 P	Ring Bracket	305	Paint
538 C	Ring Bracket	355	CP
538 P	Ring Bracket	355	Paint
539 C	Hat Arm Bracket	200	PolCP
539 P	Hat Arm Bracket	200	Paint
548 S	Shoe Holder	250	St/Steel



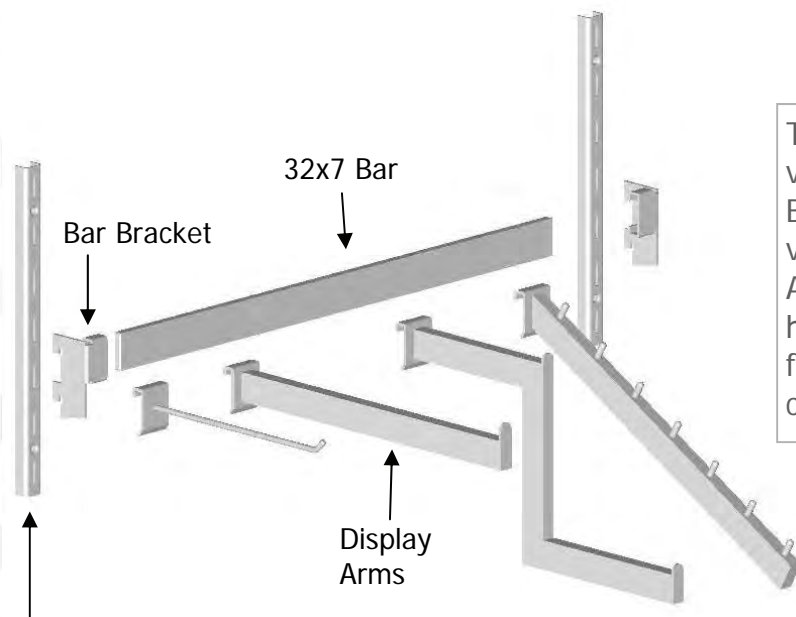
Our Groove Wall Board Fittings suit most groove wall and come in a range of styles for your requirements.

BAR SYSTEM

Code	Description	Size (mm)	Finish
221	Bar Bracket Left Hand		CP
222	Bar Bracket Centre		CP
223	Bar Bracket Right Hand		CP
225	Bar Bracket		CP
226	Bar Bracket Clip		CP
228 A	Bar Joiner		CP
228 Bi	Rail 32 x 7	1800	CP
228 Ci	Bar 32 x 7	1524	CP
228 Ei	Bar 32 x 7	1200	CP
228 Di	Bar 32 x 7	900	CP
228 Fi	Bar 32 x 7	760	CP
228 Gi	Bar 32 x 7	600	CP
228 Hi	Bar 32 x 7	2400	CP
228 li	Bar 32 x 7	3000	CP
228 Ji	Bar 32 x 7	3600	CP



Code	Description	Size (mm)	Finish
55 A	Front Hang Straight Arm	250	PoICP
55 B	Front Hang Straight Arm	300	PoICP
55 Ci	Front Hang Straight Arm	350	PoICP

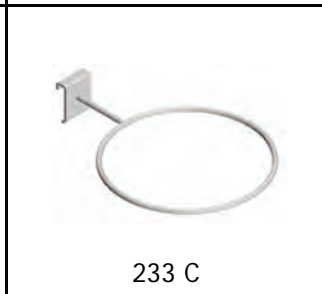
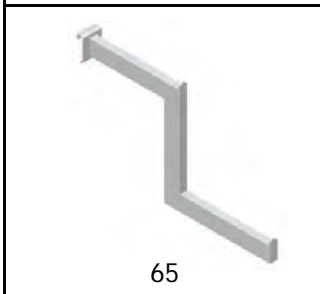
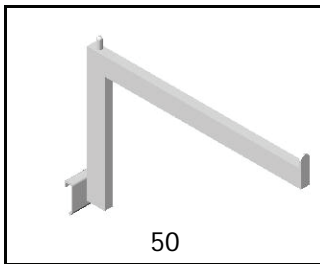


The bar system is extremely versatile. The telescopic fit with the Bar Bracket will accommodate slight variations in centres of wall stripping. Allowing you to front hang, as shown here, or side hang. Our bar is made from solid steel with high quality chrome plate finish.

Wall Stripping, C A Stripping, slotted tube etc.

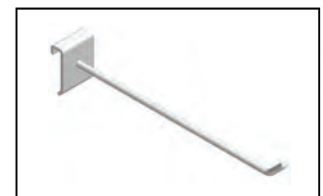
Custom fabrication is our speciality !

BAR SYSTEM



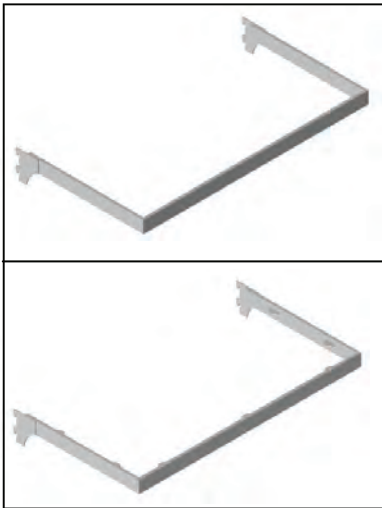
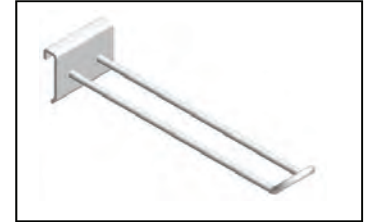
Code	Description	Size (mm)	Finish
50 A	Bar Arms Extended Height	200	PolCP
50 B	Bar Arms Extended Height	300	PolCP
50 C	Bar Arms Extended Height	350	PolCP
60 A	Front Hang Sloping Arms	8 Pin	PolCP
60 B	Front Hang Sloping Arms	11 Pin	PolCP
65	Front Hang Step Arm	400	PolCP
233 C	Football Display Ring Bar Type		CP

Code	Description	Size (mm)	Finish
302 Ai	Single Bar Hooks	50	CP
302 Bi	Single Bar Hooks	75	CP
302 Ci	Single Bar Hooks	100	CP
302 Di	Single Bar Hooks	150	CP
302 Ei	Single Bar Hooks	200	CP
302 Fi	Single Bar Hooks	250	CP
302 Gi	Single Bar Hooks	300	CP
302 H	Single Heavy Duty Bar Hook:	200	CP
302 J	Single Heavy Duty Bar Hook:	225	CP
302 K	Single Heavy Duty Bar Hook:	250	CP

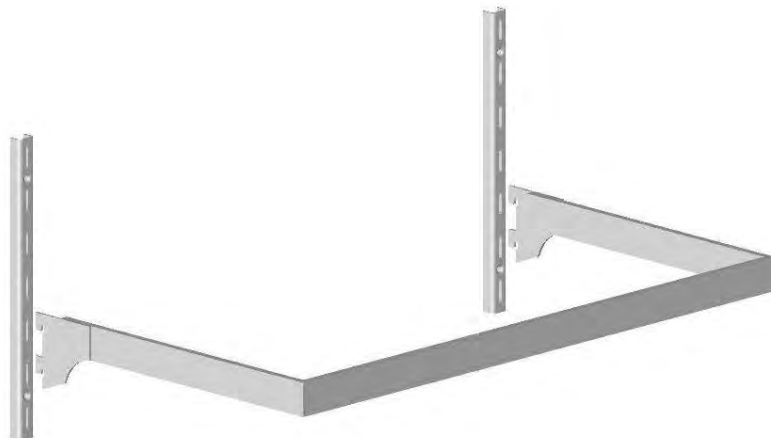


BAR SYSTEM

Code	Description	Size (mm)	Finish
306 A	Double Loop Bar Hooks	100	CP
306 B	Double Loop Bar Hooks	150	CP
306 C	Double Loop Bar Hooks	200	CP
306 D	Double Loop Bar Hooks	250	CP
306 E	Double Loop Bar Hooks	300	CP



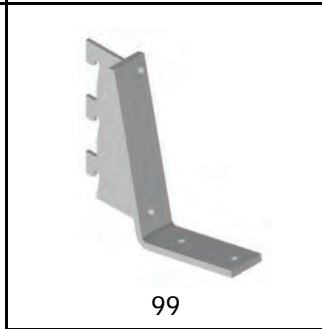
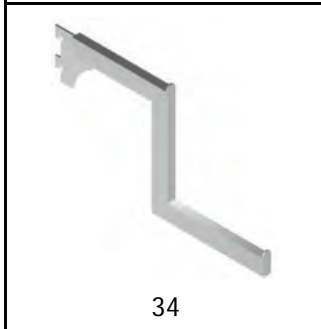
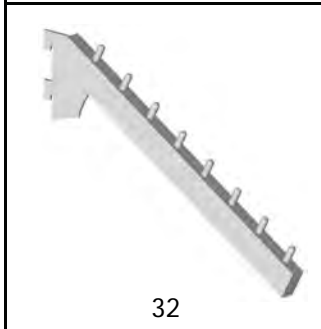
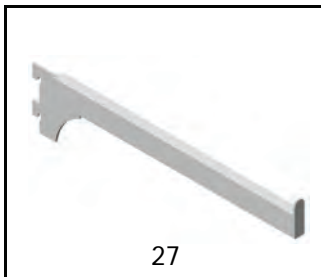
Code	Description	Size (mm)	Finish
380 Ai	Side Hang 32x7 Bar	600x300	PolCP
380 B	Side Hang 32x7 Bar	600x350	PolCP
381 Ai	Side Hang 32x7 Bar	900x300	PolCP
381 B	Side Hang 32x7 Bar	900x350	PolCP
385 A	Shelf Bars 32x7 Bar	600x300	PolCP
385 B	Shelf Bars 32x7 Bar	600x350	PolCP
386 A	Shelf Bars 32x7 Bar	900x300	PolCP
386 B	Shelf Bars 32x7 Bar	900x350	PolCP



Fully welded Side Hang or Shelf Bars can be used with wall stripping, on Gondolas or anywhere there is 40.48mm pitch slots. Specials sizes or finishes etc. available on request.

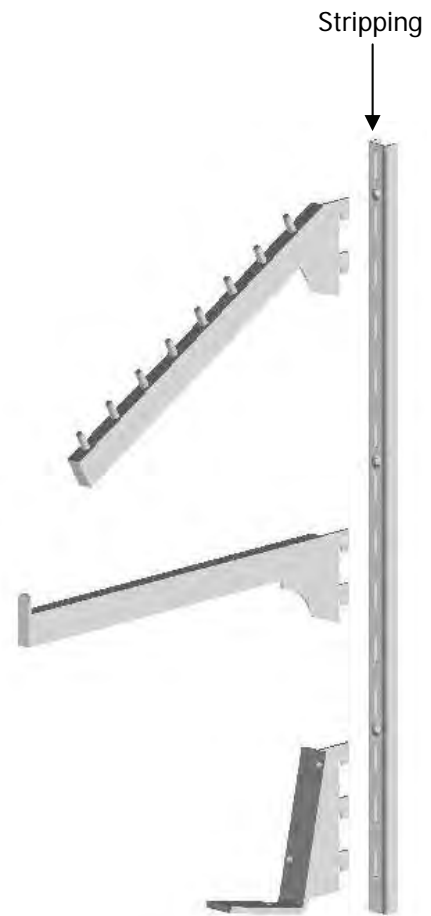
Custom fabrication is our speciality !

STRIPPING DISPLAY BRACKETS



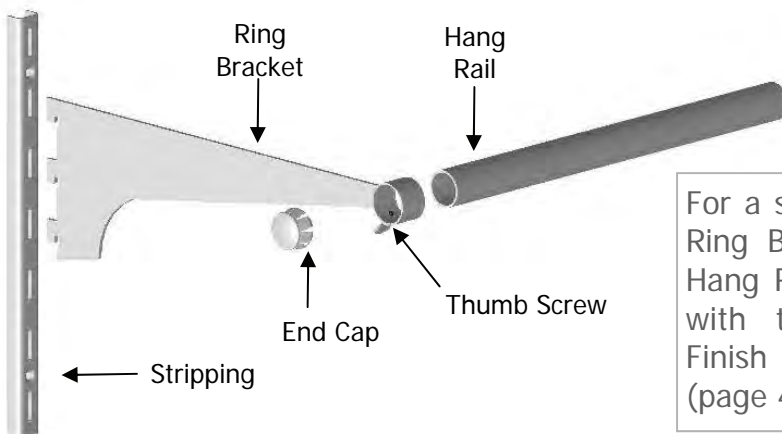
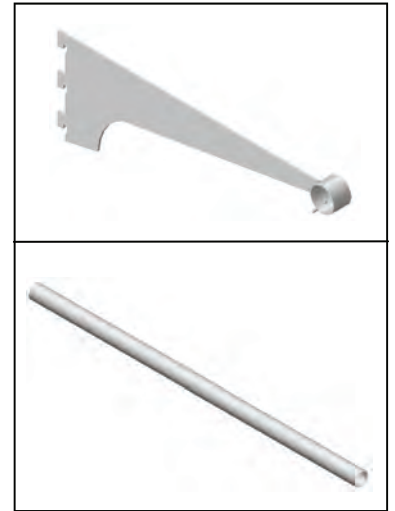
Code	Description	Size (mm)	Finish
27 Ai	Front Hang Straight Arm	250	PolCP
27 Bi	Front Hang Straight Arm	300	PolCP
27 Ci	Front Hang Straight Arm	350	PolCP
32 A	Front Hang Sloping Arms	8 Pin	PolCP
32 B	Front Hang Sloping Arms	11 Pin	PolCP
34	Front Hang Step Arm	400	PolCP
99	Bookshelf Brackets		CP

These display brackets fit directly into stripping, wall or concealed aluminium, slotted tube, gondolas or any 40.48mm pitch slots.

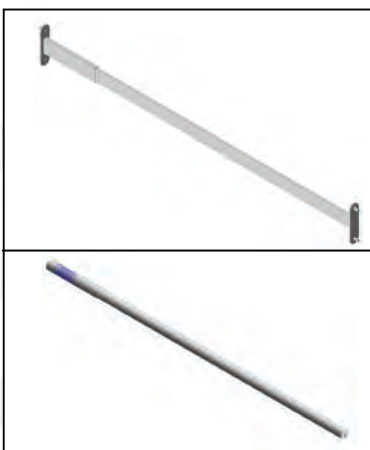


HANG RAIL SYSTEM

Code	Description	Size (mm)	Finish
115Ai	Ring Bracket	305	CP
115Bi	Ring Bracket	355	CP
116 Ai	Hang Rail 25mm Rnd	600	PolCP
116 Bi	Hang Rail 25mm Rnd	760	PolCP
116 Ci	Hang Rail 25mm Rnd	900	PolCP
116 Di	Hang Rail 25mm Rnd	1200	PolCP
116 Ei	Hang Rail 25mm Rnd	1500	PolCP
116 Fi	Hang Rail 25mm Rnd	1800	PolCP
116 Hi	Hang Rail 25mm Rnd	2400	PolCP
116 li	Hang Rail 25mm Rnd	3000	PolCP
116 Gi	Hang Rail 25mm Rnd	3600	PolCP



For a simple Hang Rail system, use the Ring Bracket fitted into slots and run Hang Rail through the ring and tighten with the thumb screw underneath. Finish off with your desired end cap (page 4).



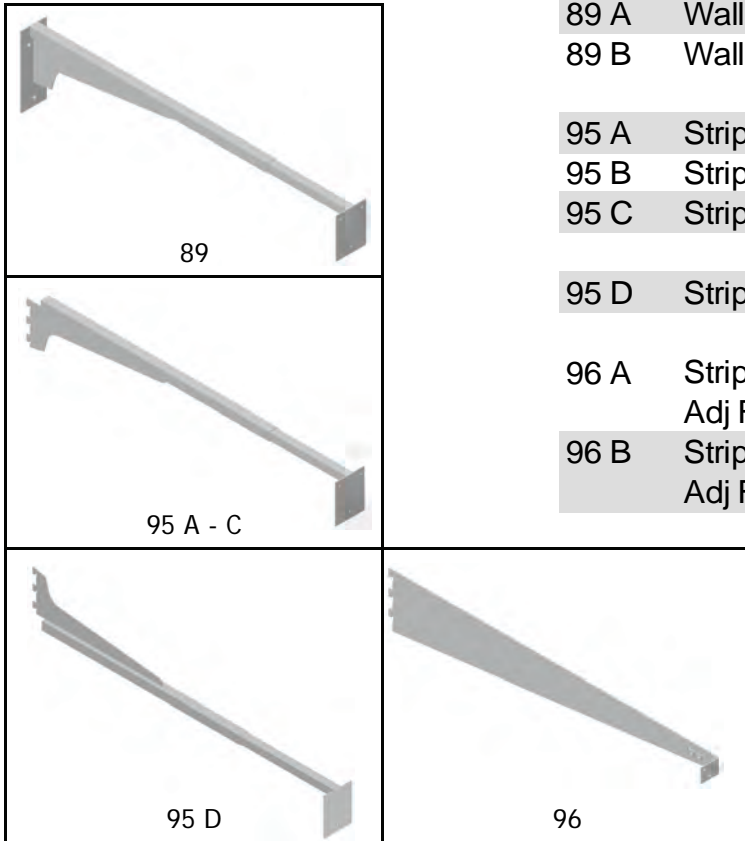
Spring Load Bar & Rail fit in between upright posts where holes are drilled at 76mm increments.

Code	Description	Size (mm)	Finish
392 D	Spring Loaded Bar	900	PolCP
392 G	Spring Loaded Bar	900	Paint
392 H	Spring Loaded Bar	1000	PolCP
392 I	Spring Loaded Bar	1200	PolCP
392 B	Spring Loaded Rail	900	PolCP
392 J	Spring Loaded Rail	900	Paint
392 L	Spring Loaded Rail	1000	PolCP
392 K	Spring Loaded Rail	1000	Paint

Custom fabrication is our speciality !

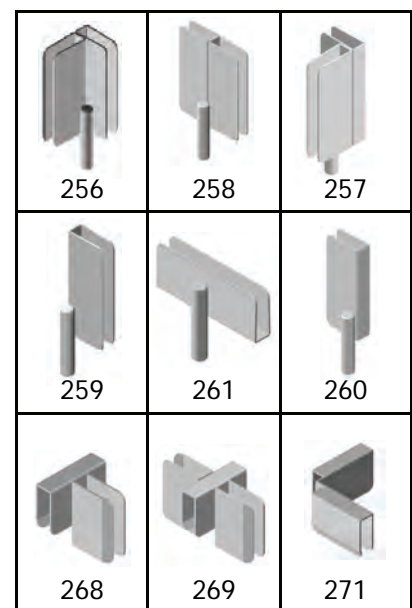
PELMET BRACKETS

Code	Description	Finish
89 A	Wall Fixed 600 long extend to 750	White
89 B	Wall Fixed 750 long extend to 900	White
95 A	Stripping type 305 long extend to 450	White
95 B	Stripping type 381 long extend to 550	White
95 C	Stripping type 610 long extend to 750	White
95 D	Stripping type upside down 40.48mm	White
96 A	Stripping type 40.48mm pitch with Adj Fix Plate 457mm long	ZP
96 B	Stripping type with 40.48mm pitch Adj Fix Plate 610mm long	ZP



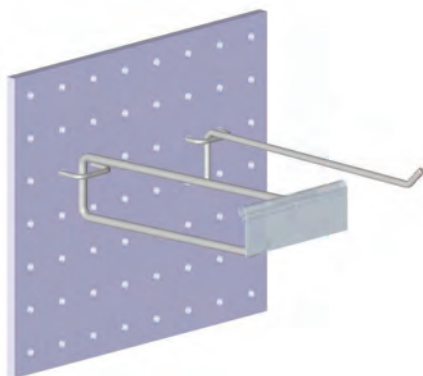
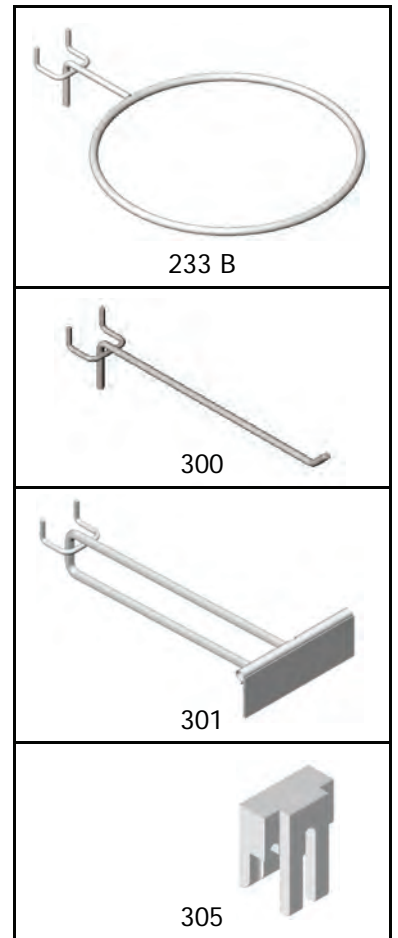
BINNING ATTACHMENTS

Code	Description	Finish
256	LH Spiggot Splicer Corner	CP
257	RH Spiggot Splicer Corner	CP
258	Centre Spiggot Splicer	CP
259	LH Spiggot Splicer Stop End	CP
260	RH Spiggot Splicer Stop End	CP
261	Through Centre Spiggot Splicer	CP
268	Cross Bin Divider 3 way	CP
269	Cross Bin Divider 4 way	CP
271	Top Corner Binning Clip	CP

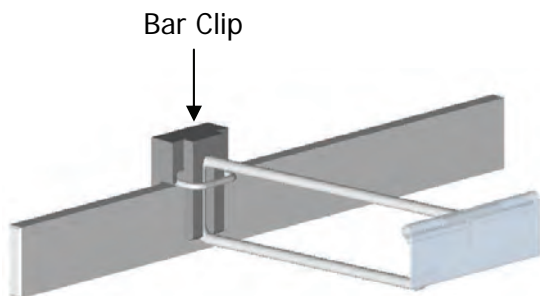
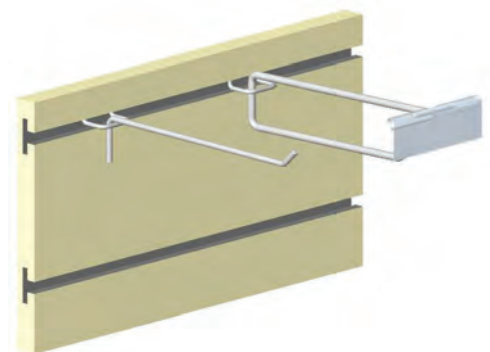


PEGBOARD AND SCANNING HOOKS

Code	Description	Size (mm)	Finish
233 B	Football Display Ring		CP
300 Ai	Single Pegboard Hooks	50	CP
300 Bi	Single Pegboard Hooks	75	CP
300 Ci	Single Pegboard Hooks	100	CP
300 Di	Single Pegboard Hooks	150	CP
300 Ei	Single Pegboard Hooks	200	CP
300 Hi	Single Pegboard Hooks	225	CP
300 Fi	Single Pegboard Hooks	250	CP
300 Gi	Single Pegboard Hooks	300	CP
300 I	Sgl Pegboard Hooks Heavy	225	CP
301 Ai	Scanning Hooks Heavy	150	CP
301 Bi	Scanning Hooks Heavy	200	CP
301 Ci	Scanning Hooks Heavy	250	CP
305	Hook Bar Clip (32x7) Black Plastic		



Pegboard hooks suit any standard pegboard as well as most Groove Wall Boards.



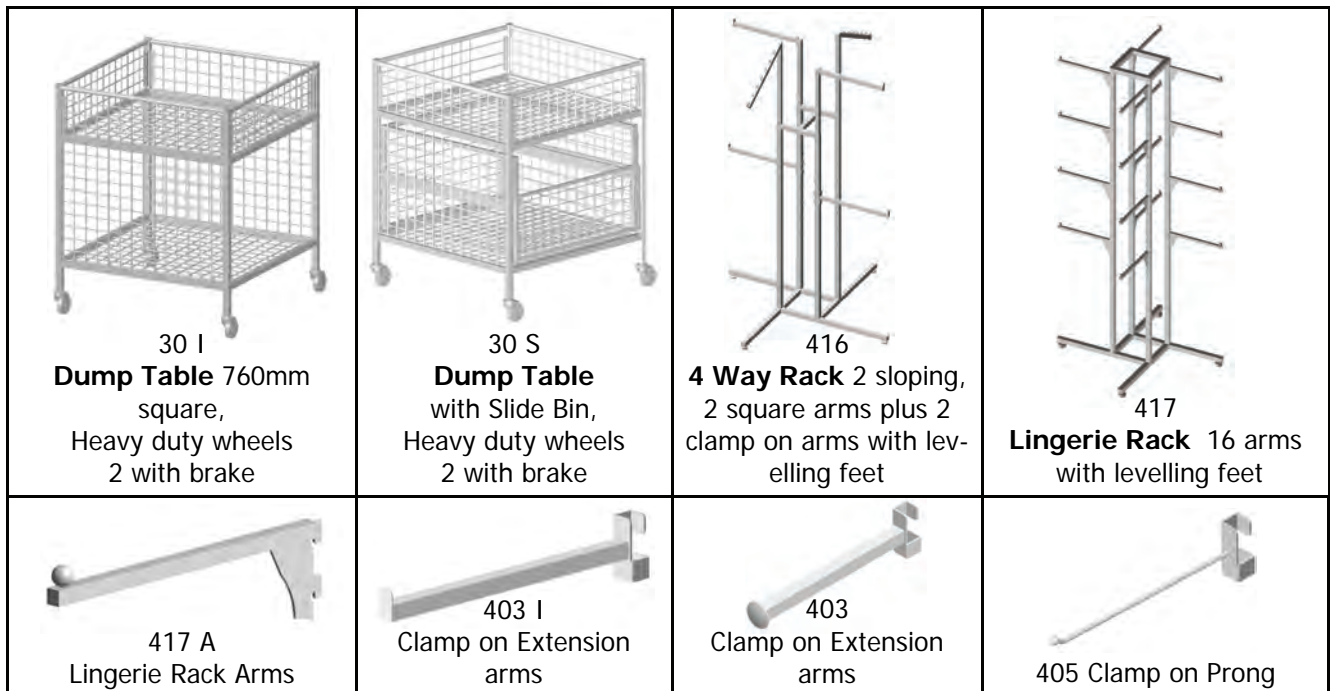
The Bar clip (Code 305) allows the pegboard & scanning hooks to be adapted to our standard bar system for an economical alternative and versatility.

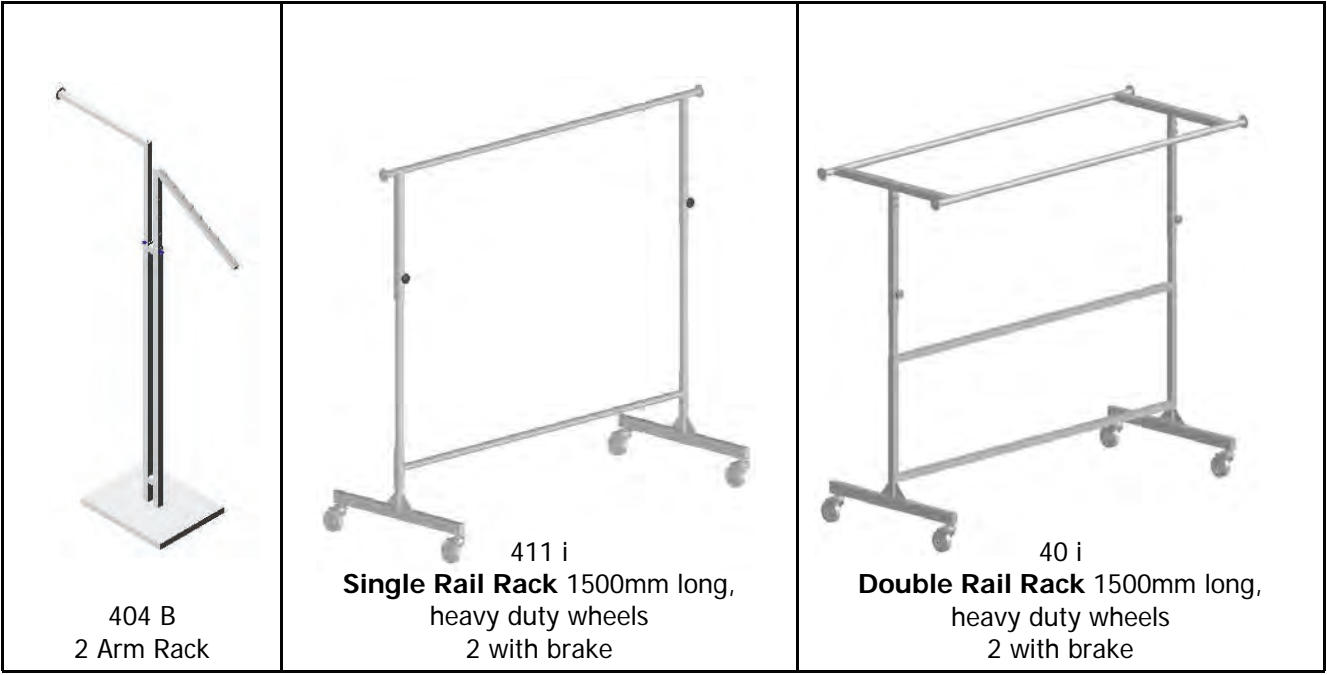
RACKS AND STANDS

Our display racks are supplied unassembled and flat packed, one unit per carton, with simple assembly instructions.

All have a high quality polished chrome plate finish.

Code	Description	Size (mm)	Finish
30 i	Dump Table 760x760x930 high unassembled flat pack		PolCP
30 Si	Dump Table with Slide Bin unassembled flat pack		PolCP
416	4 Way Rack - unassembled flat pack		PolCP
417 i	Lingerie Rack with 16 arms - unassembled flat pack		PolCP
417 A	Lingerie rack Arms		PolCP
403 i	Clamp on Extension Arm for Quad Rack	400	PolCP
403 B	Clamp on Extension Arm	300	PolCP
403 A	Clamp on Extension Arm	450	PolCP
405 A	Clamp on Prong	300	PolCP
404 A	2 Arm Rack Sloping Arms		PolCP
404 B	2 Arm Rack 1 Sloping 1 Square		PolCP
411 i	Single Rail Clothes Rack w/- 75dia wheels unassembled flat pack		Pol CP
40 i	Double Rail Clothes Rack with 75dia wheels unassembled flat pack		Pol CP

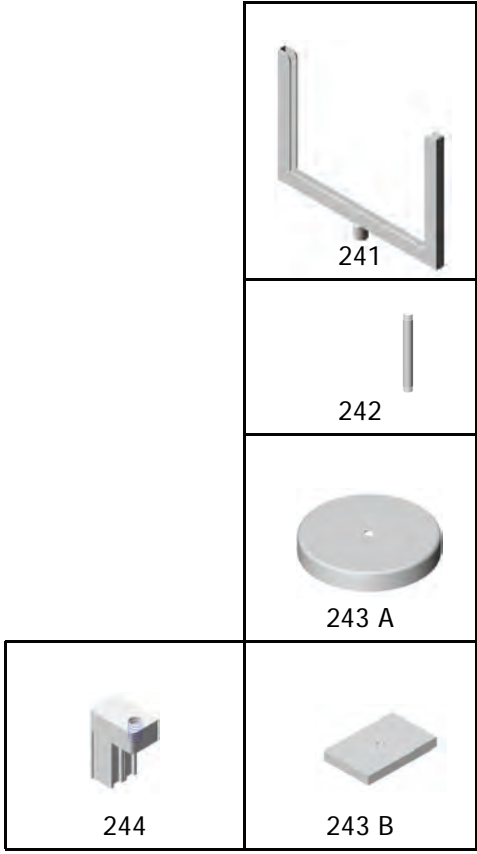




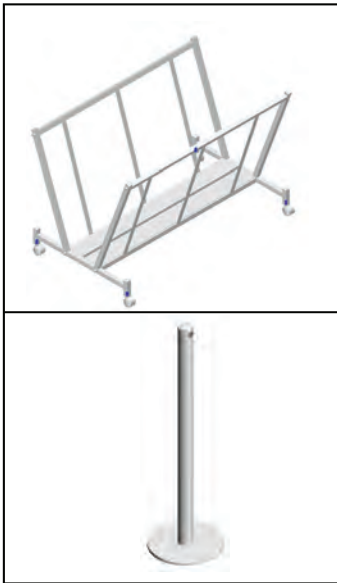
TICKET HOLDERS

Code	Description	Size (mm)	Finish
241 Ai	Ticket Frame	157x234	CP
241 Bi	Ticket Frame - A4	300x216	CP
241 Ci	Ticket Frame - A5	152x216	CP
242 D	Ticket Stem	60	CP
242 Ai	Ticket Stem	150	CP
242 Bi	Ticket Stem	305	CP
242 Ci	Ticket Stem	406	CP
243 Ai	Ticket Stand Base	150 Dia	CP
243 Bi	Ticket Stand Weight		
244 i	Magnetic Hugger		CP

All ticket stems are threaded alike to fit all our racks and stands.



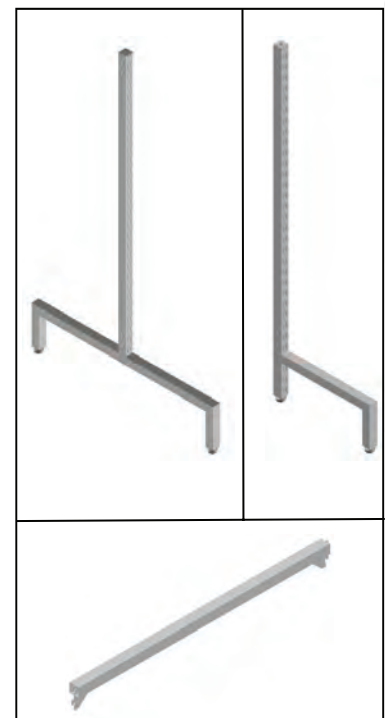
RACKS AND STANDS



Code	Description	Size (mm)	Finish
414 A	Poster Stand	1075 wide x 690 high	CP
414 B	Poster Stand	1075 wide x 690 high	Paint
920	Crowd Control Barriers	850mm	PolCP
921	Crowd Control Barriers	850mm	Paint

GONDOLAS

Code	Description	Size (mm)	Finish
401 I	32mm Gondola End Frame	1335x800	PolCP
401 J	32mm Gondola End Frame	1335x800	Paint
401 K	32mm Gondola Half End	1335x416	PolCP
401 L	32mm Gondola Half End	1335x416	Paint
401 M	32mm Gondola Rail	868	PolCP
401 N	32mm Gondola Rail	868	Paint
401 X	32mm Gondola Rail	568	PolCP
401 Y	32mm Gondola Rail	568	Paint



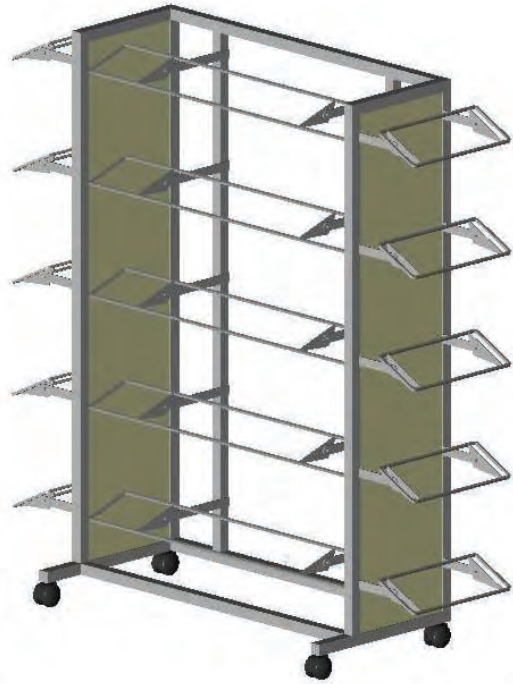
The Gondola system is easy to assemble, to create a simple free standing display.

Special sizes and finishes are available and made to order.

CUSTOM MADE ITEMS

Kanweld Products speciality is custom made items. We have the ability to manufacture any metal products to your specifications. Starting with your ideas, and with our experienced staff, we can help develop and design an item or system to display your products.

We can supply metalwork only or with timber or acrylic components.



Shoe stand with adjustable angle shelves



Triple Ticket Holder



Ticket Stand



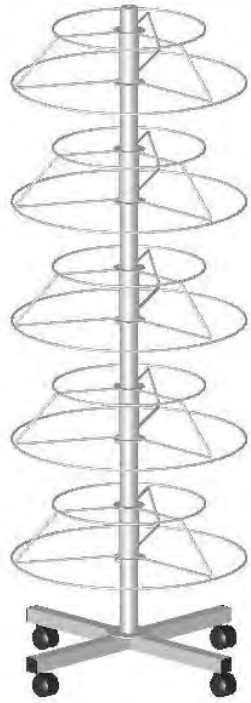
Mobile Gondola



Necklace Display Stand



Frypan Display Stand

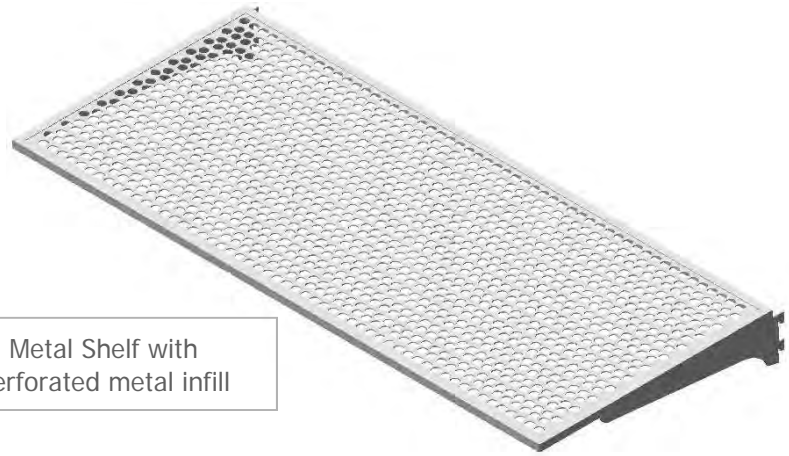


Round Shoe Stand

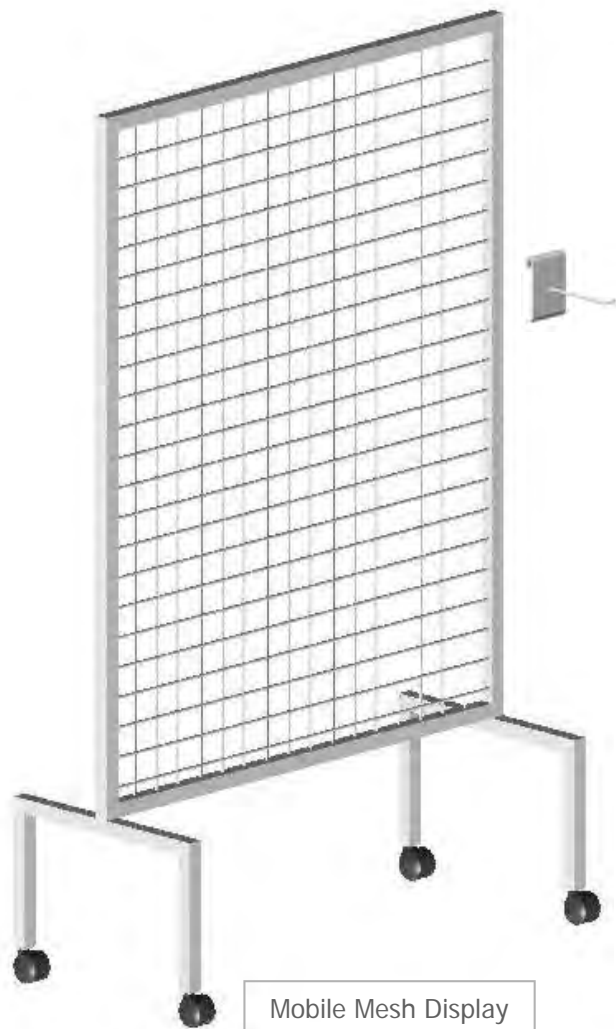
Custom fabrication is our speciality !

CUSTOM MADE ITEMS

We have the capabilities to work with most metals including mild steel, and as shown here, stainless steel and speciality perforated sheet metal and mesh.



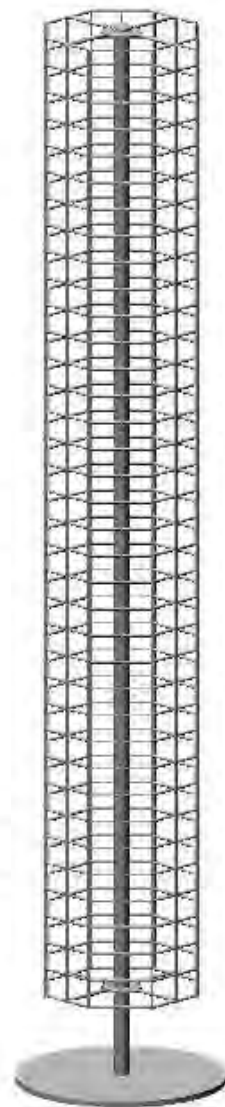
Metal Shelf with perforated metal infill



Mobile Mesh Display Stand and prong



Adjustable Round Racks



Revolving Mesh Display Stand

CUSTOM MADE ITEMS

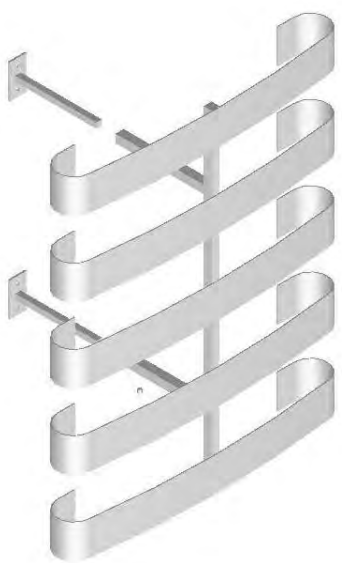
Special finishes , such as Satin Chrome or coloured powdercoat are available. Please contact us with your requirements and we can provide a quotation.



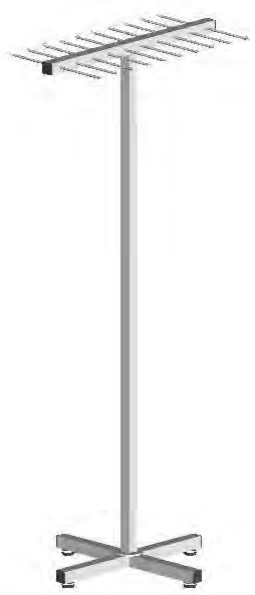
Base Frame with castors



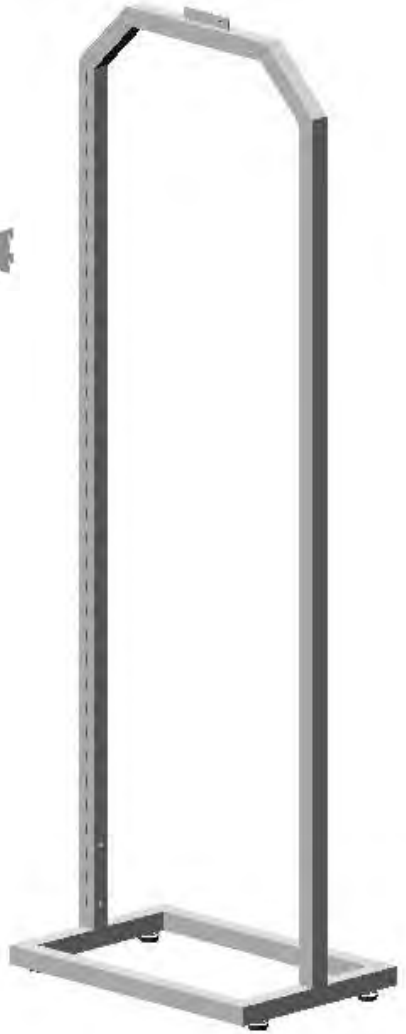
Clamp on Display Arm



Belt Display Wall Fixed



Belt Stand



Belt stand with removable Belt Display Bars



Pivot Mannequin Brackets



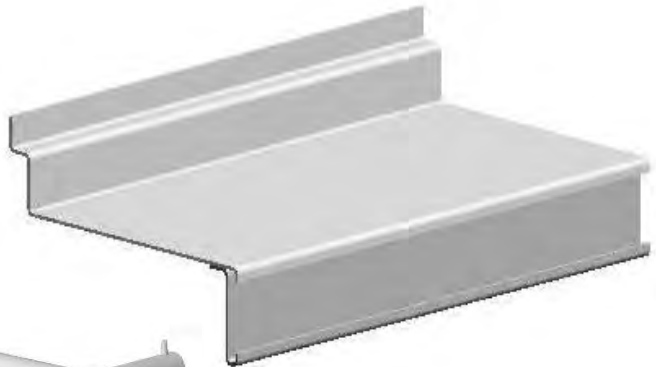
Custom fabrication is our speciality !

STAINLESS STEEL FITTINGS

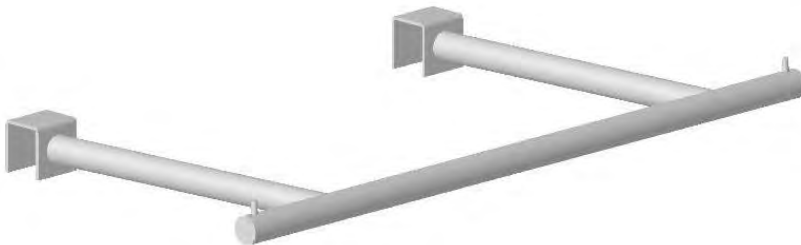
Kanweld Products are experienced in manufacturing items such as small brackets to large frames in Stainless Steel. We have all the right equipment and know how to produce a top quality finish.



Front Hang Arm. Round stainless steel tube.



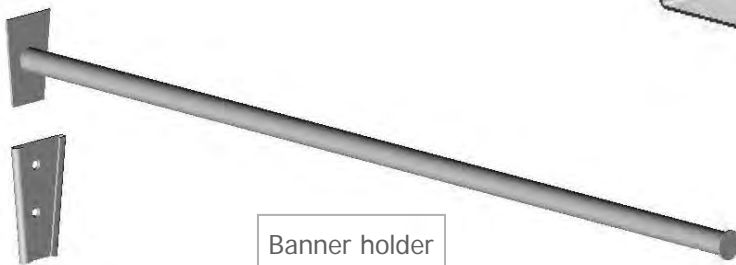
Shoe Holder to suit Groove Wall Board. Folded from stainless steel sheet



Side Hang Rails



Shoe Holder to suit go over 32x12 hang rail.



Banner holder



Front Hang Arm made from stainless steel bar.



Side Hang Rail. Stainless steel bar and brackets

STAINLESS STEEL FITTINGS

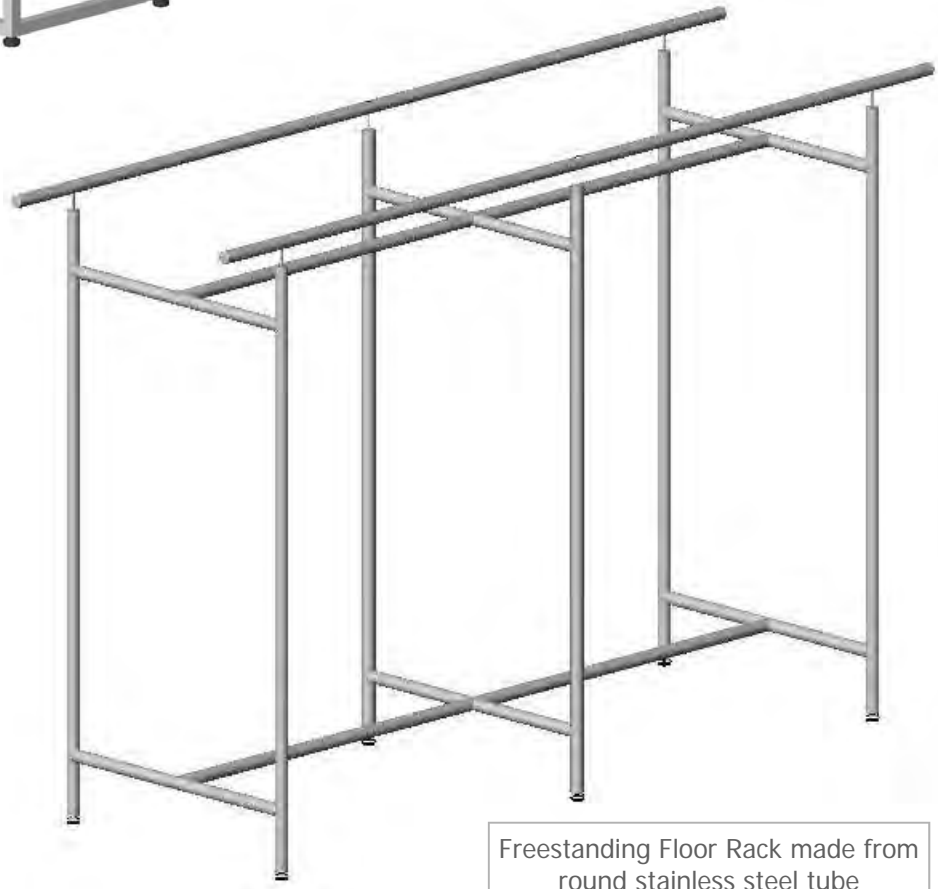
Stainless Steel is being used in many applications and eliminates the need for plated finishes. Kanweld Products has stainless steel products with various finished finishes. A polished mirror finish is also available in limited applications.



Here we have simple table frames to your design



Shoe Fitting Stool Frame. Made from square stainless steel tube and bar.



Freestanding Floor Rack made from round stainless steel tube



Groove Wall Board Fittings
Binning Attachments
Slotted tube & fittings
Racks & Stands
Stainless Steel fittings

Display Brackets for Stripping
Bar System
Security Fittings
Hooks Hangers
Shelf Brackets for Stripping

KANWELD PRODUCTS PTY LIMITED
42-44 Redfern Street
Wetherill Park NSW 2164
Australia

Phone: (02) 9725 5822
Fax: (02) 9757 1257
Internet: www.kanweld.com.au
Email: info@kanweld.com.au

